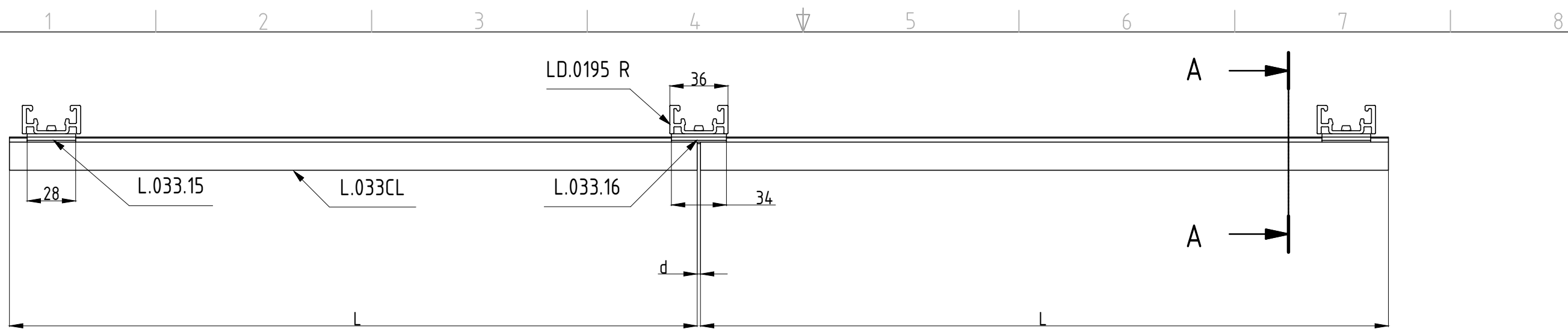
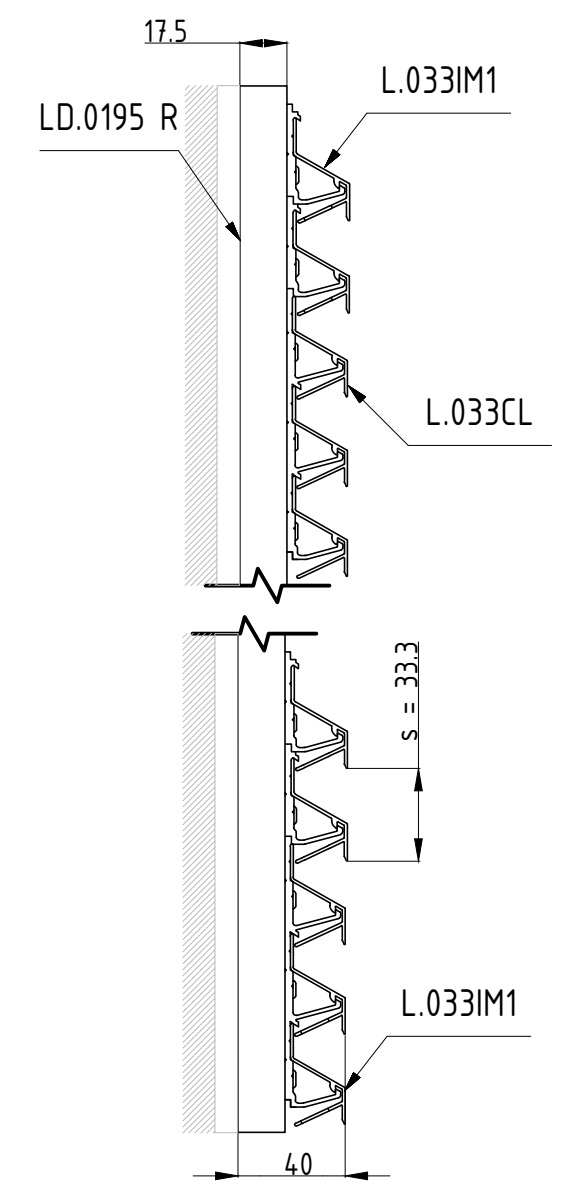
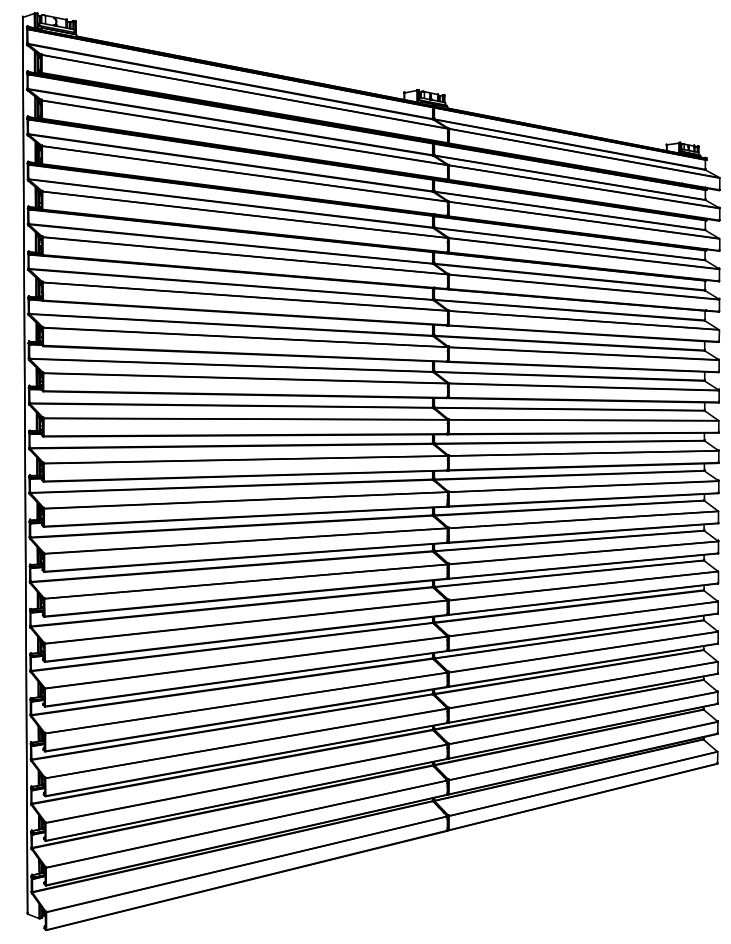


This drawing is property of NV RENSON, and may not be copied or shown to thirds without written permission.



BORDENAFSLUIT



DSection A-A-A

L: Lengte lamel (mm)
 d: Deuringspacing (mm) = 0,001 x L
 s: Slapelengte (mm)

<p>RENSON Creating healthy spaces Industriezone "Flanders field" 8790 Waregem (Belgium) Tel. 056/62.71.11 Fax. 056/60.28.51</p>	Drawn by jcat	Date 26/06/2018	Scale 1/8
	Linius® R L.033CL/IM1		Version 1
	FRANCESCO BERTOLINI		Page 1/1